



BLUSODA



	BLUSODA 30	BLUSODA 45
Cooling capacity (Lt/h)	30	45
Continuous supply (lt)	6	12
Cold water temperature*	5° - 12° C	
Cooling technology	Aluminium fusion block heat exchanger	
Cold Water Coil	Stainless Steel AISI 316	
Pump	Professional carbonator pump (booster)	
Condensation	Ventilated	
Adjustable Thermostat	Yes	
Refrigerant gas	Natural Gas R290	
Supply	230 V - 50 Hz	
Compressor	1/6 HP	1/4 HP
Watts	230W - 1A	360W - 1.55A
Inlet water Pipe	ø 8 x 1 mm	
Inlet CO ₂ Pipe	ø 8 x 1 mm	
Dispensing area height He (mm)	281	331
Typology	Counter Top	
NET WEIGHT Kg	28	34
GROSS WEIGHT Kg	30.5	38
Dimensions L x W x H (mm)	261 x 488 x h 418	318 x 499 x 470
Materials	All robust Stainless Steel parts & Aluminium	
Dispensing	Cold water, Cold sparkling water, Room temperature water	
Pushbuttons	Inox push buttons	
Safety Inlet Valve	Included	



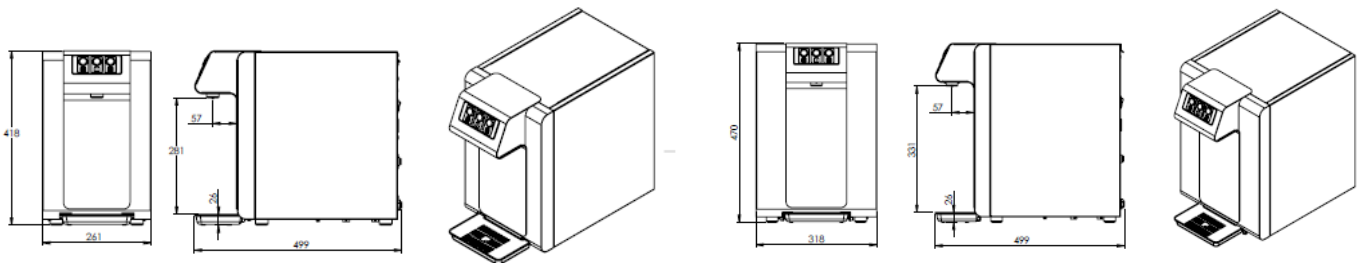
OPTIONAL

Water pressure reducer

CO₂ pressure reducer

Filters: Inlet active carbon filter + UVC OUTLET (Inside the machine)

Stainless steel WAVE CABINET



Blusoda 30

Blusoda 45



Associations:

Blupura Srl - Italy | T. +39 071 971 0080
info@blupura.com | www.blupura.com

Blupura USA Inc. - USA | T. +1 305 777 3591
blupurausa@blupura.com

Certifications:





BLUSODA



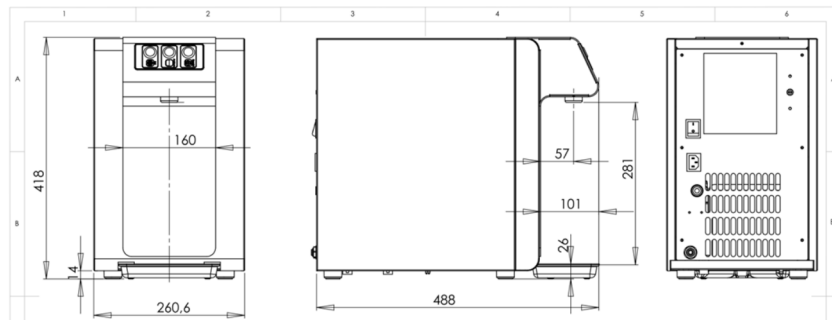
	BLUSODA 8	BLUSODA 12
Cooling capacity (GAL/h)	8	12
Continuous supply (GAL)	2	3
Cold water temperature*	41° - 53.6° C	
Cooling technology	Aluminium fusion block heat exchanger	
Cold Water Coil	Stainless Steel AISI 316	
Pump	Professional carbonator pump (booster)	
Condensation	Ventilated	
Adjustable Thermostat	Yes	
Refrigerant gas	HFC R134a	
Supply	110 V - 60 Hz	
Compressor	1/6 HP	1/4 HP
Watts	200W - 2A	300W - 3A
Inlet water Pipe	ø 1/4"	
Inlet CO ₂ Pipe	ø 1/4"	
Dispensing area height He (in)	11.06	13
Typology	Counter Top	
NET WEIGHT lb	61.7	74.9
GROSS WEIGHT lb	67.2	83.8
Dimensions L x W x H (in)	10.3 x 19.21 x 16.46	12.5 x 19.6 x 18.5
Materials	All robust Stainless Steel parts & Aluminium	
Dispensing	Cold water, Cold sparkling water, Room temperature water	
Pushbuttons	Inox push buttons	
Safety Inlet Valve	Included	



OPTIONAL

- Water pressure reducer
- CO₂ pressure reducer
- Filters: Inlet active carbon filter + UVC OUTLET (Inside the machine)
- Stainless steel WAVE CABINET

*rated at a room temp. of 77°F and inlet water temp. of 68°F



Associations:

Blupura Srl - Italy | T. +39 071 971 0080
info@blupura.com | www.blupura.com

Blupura USA Inc. - USA | T. +1 305 777 3591
blupurausa@blupura.com

Certifications:

