

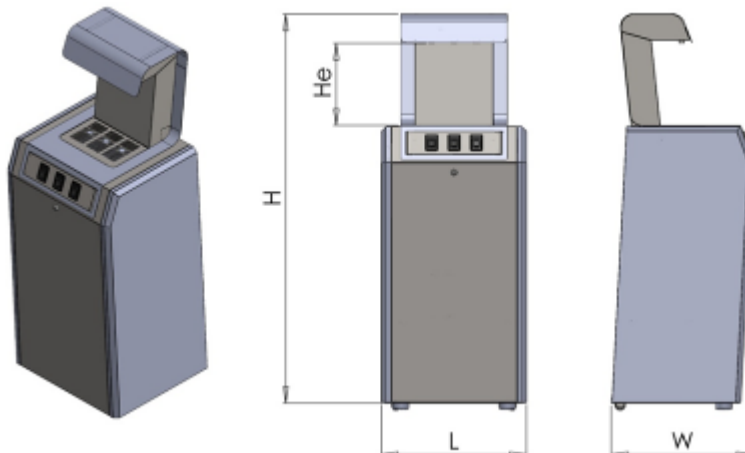


FONTEMAGNA

Light



	FONTEMAGNA LIGHT FIZZ 150	FONTEMAGNA LIGHT FIZZ 80
Cooling capacity (lt/h)	150	80
Continuos supply (lt)	80	45
Cold water Temperature	3°-10°C	
Ice bank capacity (lt)	18	14
Ice bank (Kg)	8	5
Cooling technology	ICE BANK - Double Stainless Steel coil	ICE BANK - Single Stainless Steel coil
Refrigerant Gas	Natural HYDROCARBON gas R290	HFC R134a
Compressor Power	700 kcal/h	360 kcal/h
Condensation	Forced ventilation (Fan)	
Adjustable Thermostat	Yes	
Pump	Professional carbonator pump	
Inlet water Pipe	ø 3/8" x 1/4"	ø 3/8" x 1/4"
Dispensing area height He (mm)	305	
Typology	floor standing	
Supply	220 V - 50 Hz	
Power	650 W - 2,6 A (400 W - 1,6 A <i>Light 150/80</i>)	
Working Room Temperature	Min 5°C - Max 42°C	
NET WEIGHT Kg	50 (45 <i>Light 150</i>)	45 (40 <i>Light 80</i>)
GROSS WEIGHT Kg	60 (55 <i>Light 150</i>)	55 (50 <i>Light 80</i>)
Dimensions L x W x H (mm)	520 x 510 x 1450	
Packaging dimensions (mm)	600 x 600 x 1630	
Dispensing	Cold water, Cold sparkling water, Room temperature water	
Push buttons	Electronic button commands with continual or intermittent water supply	
Materials	Robust Stainless steel and painted galvanized steel parts	
Other features	Safety inlet valve Water pressure reducer Predisposition for fixing filters and CO2 Cylinder (OPTIONALS) inside the machine	



A fonte magna water-cooler but with mechanic buttons - no compormises on quality or performance - with all of the benefits of using ecologic gas R290



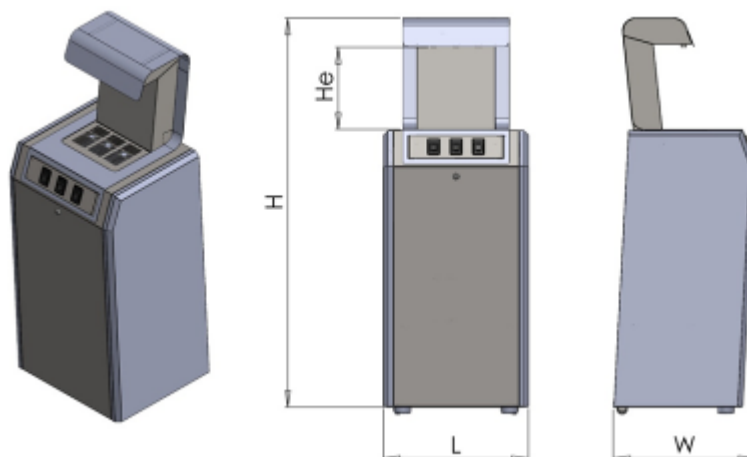


FONTEMAGNA

Light



	FONTEMAGNA LIGHT FIZZ 150	FONTEMAGNA LIGHT FIZZ 80
Cooling capacity (GAL/h)	40	20
Continuos supply (GAL)	20	12
Cold water Temperature	37.4° - 50°F	
Ice bank capacity (GAL)	5	4
Ice bank (lb)	17.6	11
Cooling technology	ICE BANK - Double Stainless Steel coil	ICE BANK - Single Stainless Steel coil
Refrigerant Gas	Natural HYDROCARBON gas R290	HFC R134a
Compressor Power	700 kcal/h	360 kcal/h
Condensation	Forced ventilation (Fan)	
Adjustable Thermostat	Yes	
Pump	Professional carbonator pump	
Inlet water Pipe	ø 5/16"	ø 5/16"
Dispensing area height He (in)	12	
Typology	floor standing	
Supply	110 V - 60 Hz	
Power	500 W - 4.3 A (400 W - 1.6 A <i>Light 150/80</i>)	
Working Room Temperature	Min 41°F - Max 107.6°F	
NET WEIGHT lb	110 (99 <i>Light 40</i>)	99 (107 <i>Light 20</i>)
GROSS WEIGHT lb	132 (121 <i>Light 150</i>)	121 (110 <i>Light 80</i>)
Dimensions L x W x H (in)	20.5 x 20.1 x 57.1	
Packaging dimensions (in)	23.6 x 23.6 x 64.2	
Dispensing	Cold water, Cold sparkling water, Room temperature water	
Push buttons	Electronic button commands with continual or intermittent water supply	
Materials	Robust Stainless steel and painted galvanized steel parts	
Other features	Safety inlet valve Water pressure reducer Predisposition for fixing filters and CO2 Cylinder (OPTIONALS) inside the machine	



A fonte magna water-cooler but with mechanic buttons - no compormises on quality or performance - with all of the benefits of using ecologic gas R290

